



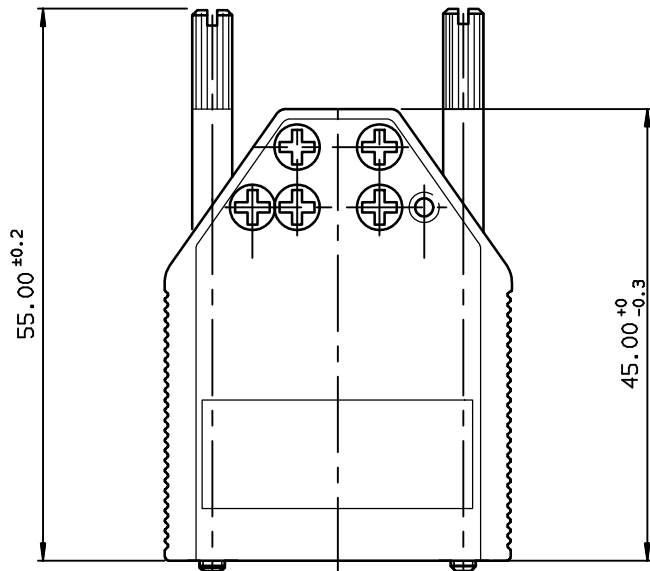
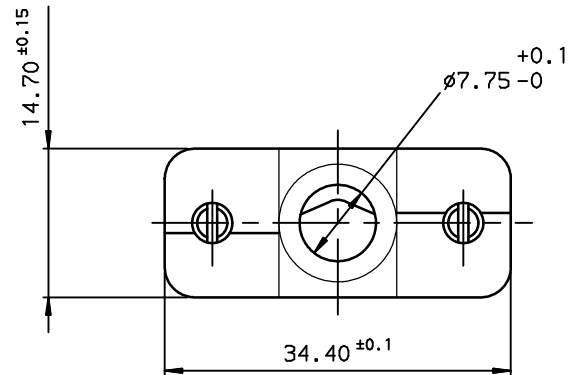
Copyright FCI.

D

NOTE: RoHS INFORMATIONS

- The "LF" product meets European union Directives and other country regulations as described in 65-22-008.
- The product is not intended to be exposed to a manufacturing solder process.
- Packaging spec: see 65-14-920.

REV F - 2006-04-17



A

B

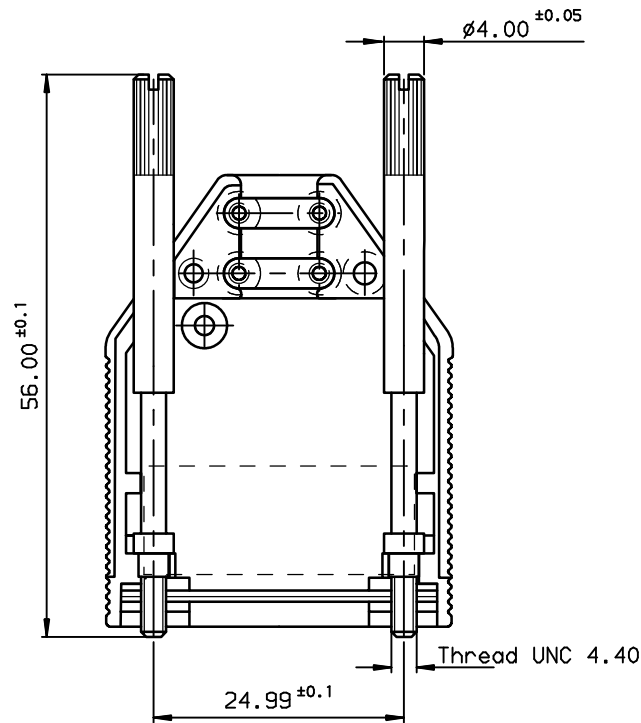
C

2

3

4

INSIDE VIEW



A

B

C

Core range		
PART NUMBER	8655MH0911LF	PACKAGING: per 1 piece

FOR STANDARD AND APPLICATION SPECIFIC PART NUMBER SEE SHEET 2.

European Views

www.fciconnect.com		surface ISO 1302 ✓	tolerance std ISO 406 ISO 1101	projection mm
		TOLERANCES UNLESS OTHERWISE SPECIFIED		
Dr	JARRY	2005/10/14	0.X	±0.1
Eng	PESSON	2005/10/14	0.XX	±0.1
Chr	LEGARE	2005/10/14	0.XXX	±0.1
Appr	LEGARE	2005/10/14	Product family D-SUB Spec ref -	
FCI title		SHIELDED HOODS - TWO PARTS HOODS (Shell size 09)		size A3
catalog no		-		Scale 2
		C01-8655-1596-1		ECN L506-0095
		CUSTOMER		Rev. B

rev	ecn no	dr	date
A	L505-0086	MPE	2005/10/14
B	L506-0095	LGO	2006/06/26
-	-	-	-
-	-	-	-
-	-	-	-
-	-	-	-

